

# G-COOL™ DOUBLE

Project

Date

Models  
**C-2D-16**

Item #

Quantity

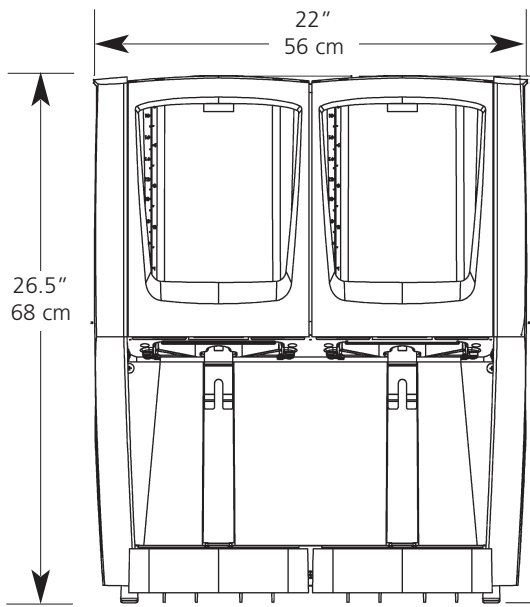


model C-2D-16

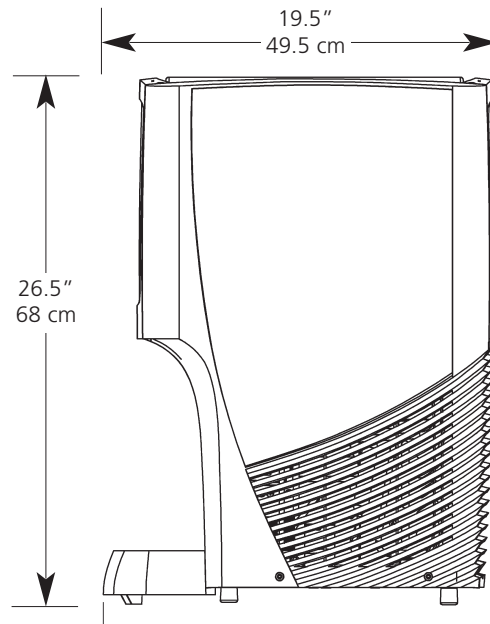
## Features

- The most advanced, user-friendly cold premix dispenser available sells more cold beverages.
- Two large, 5 gallon (18 L) bowls with 9.5" (24 cm) cup height.
- 360° merchandising helps you stand out from the competition and attract more customers.
- Faster cleaning - cleans in half the time of a traditional dispenser, saving labor.
- Simple machine care and easy operator interface promote better sanitation.
- Breakthrough technology featuring patented Tri-Cool™ evaporator offers maximum refrigeration using less energy and saving money.
- Low aeration magnetic mixing system keeps product mixed without creating unwanted foam in tea and cappuccino products.
- Modular construction uses interchangeable components throughout the line, promoting machine flexibility while keeping parts inventories low.

# G-COOL™ DOUBLE



Double Bowl - Front View



Double Bowl - Side View

model C-2D-16 represented  
measurements in inches [cm]



MODEL	DESCRIPTION	ELECTRICAL	PRODUCT DIMENSIONS (H X W X D)	SHIP DIMENSIONS (H X W X D)	SHIP WEIGHT
-------	-------------	------------	--------------------------------	-----------------------------	-------------

<b>C-2D-16</b> (231-00166)	UL, NSF, CUL, RoHS* Certification	120V / 980W / 11 A / 1 Ph	26.5" x 22" x 19.5" (68 cm x 56 cm x 50 cm) including drip tray	30" x 25" x 23" (76 cm x 65 cm x 56 cm)	135 lbs (61 kg)
-------------------------------	--------------------------------------	---------------------------	---	--	-----------------

\* Must specify RoHS model when required. Additional cost may apply  
**Specify Graphic:** Iced Coffee (99454), Iced Tea (99455), or Fruit (99456)  
**Refrigerant:** 134A